

STRIP TO POWER & STRIP TO STRIP

PLEASE check to see if there are any defects in the product before cutting or installing. Lay out the lights and connect them to the appropriate power unit. Check to ensure that all of the LEDs and remote control functions are in working order.

• We will not accept returns on cut strips that are working unless covered by warranty •

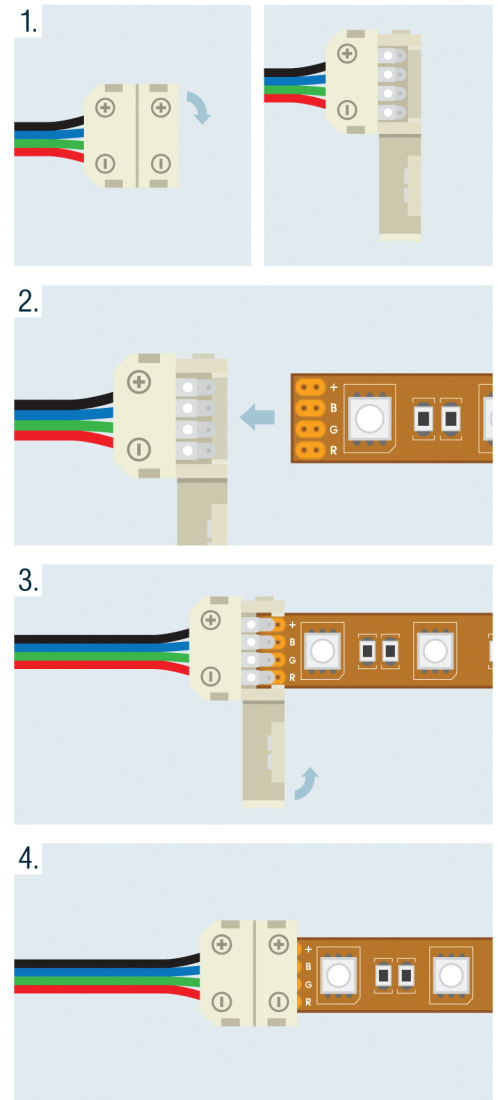
Consult an electrician before the install to be safe and to ensure you are in compliance with local electrical codes.

1. When using a solderless connector, be gentle - both the strip and solderless connectors are fragile. The solderless connectors have a plastic housing with 4 connecting pins inside. Open the half of the plastic housing that is on the opposite side of the attached wires. *See Diagram 1*
2. On the strip itself, there are indicators along each cut line for + (Positive), **R** (Red), **G** (Green), **B** (Blue). The solderless connectors have colored wires to keep a designation for each of these connection points. As you can see in the picture, the "+" is connecting to the black wire representing the positive lead. The **R**, **G**, and **B** connect to the corresponding colored wires to keep things easily identified when wiring. *See Diagram 2*

NOTE: The wires do not **HAVE** to match up by their colors. If you turn the strip upside down, then the reverse order will take place when trying to light up the strip.

Example: + could be the Red wire, Blue could be the green wire, Green the blue wire, and Red the black wire. Just pay attention to where the leads on the STRIP are connecting to.

3. Once the strip is cut to its desired length and the solderless connector is open, insert the bare strip **UNDERNEATH** the 4 pin connectors. **DO NOT** pull up on the tabs. *See Diagram 3*
4. Close the connector until you hear a snap. Now power on. **You've got light!** *See Diagram 4*



IF YOUR LIGHTS ARE NOT LIGHTING UP

- Wire color does not always matter. Red does not always mean positive. Make sure you follow the positive side of the strip down through the solderless connector wire to the power supply.
- A common problem is that the solderless connector may be installed upside down, repeat steps above and try again with this product. Also, make sure all connections are secure.
- Make sure the tray is closed all the way (when installed correctly the strip will not slip out).
- This product is rated for indoor installation and is not protected against moisture.
- If using DC connectors or extra wire, check the connections again and make sure there is enough wire exposed to make proper connections.

Check out our install page on our website or YouTube channel at www.youtube.com/flexfireinfo