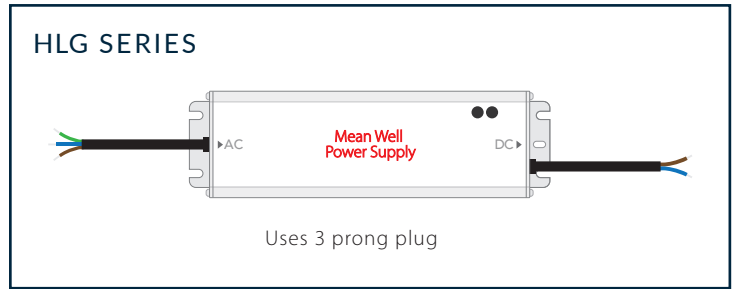
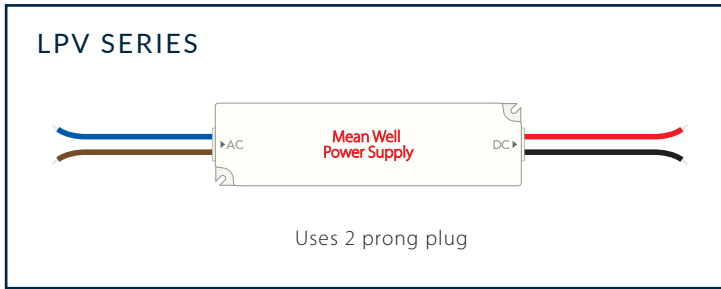
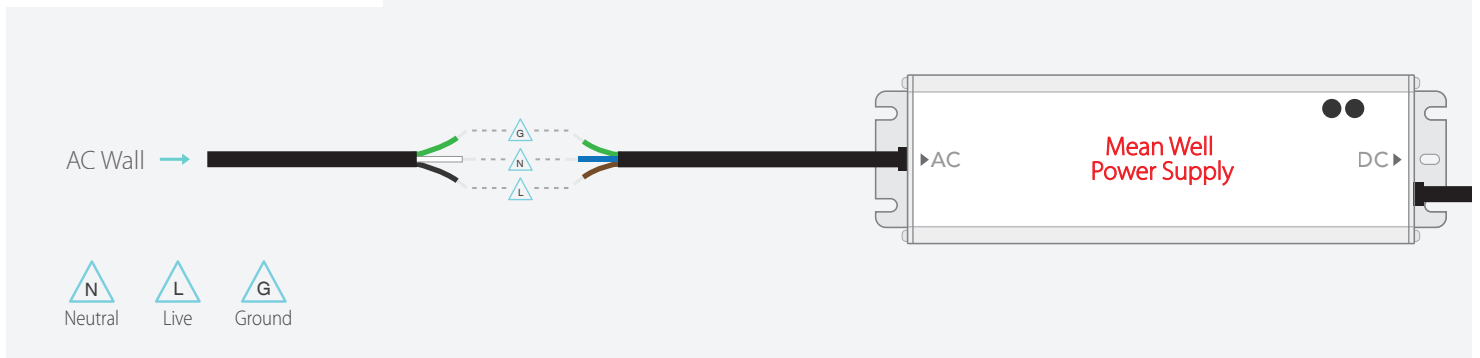


Consult an electrician before the installation to be safe and to ensure you are in compliance with local electrical codes.

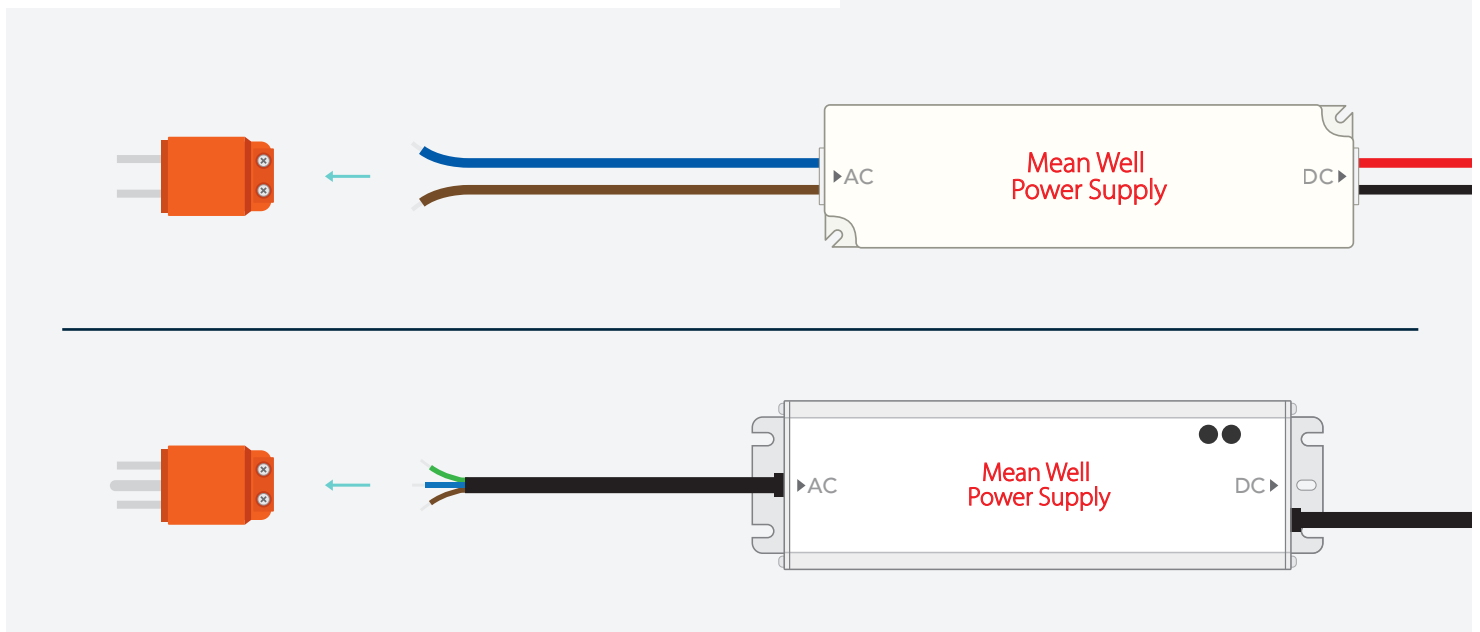
Mean Well LED drivers are intended to be directly hardwired. However, a plug can be purchased at any home improvement store such as Lowe's, Home Depot, Ace etc. and attached to the input of the driver.



#### 1. Hardwire to AC Power Line

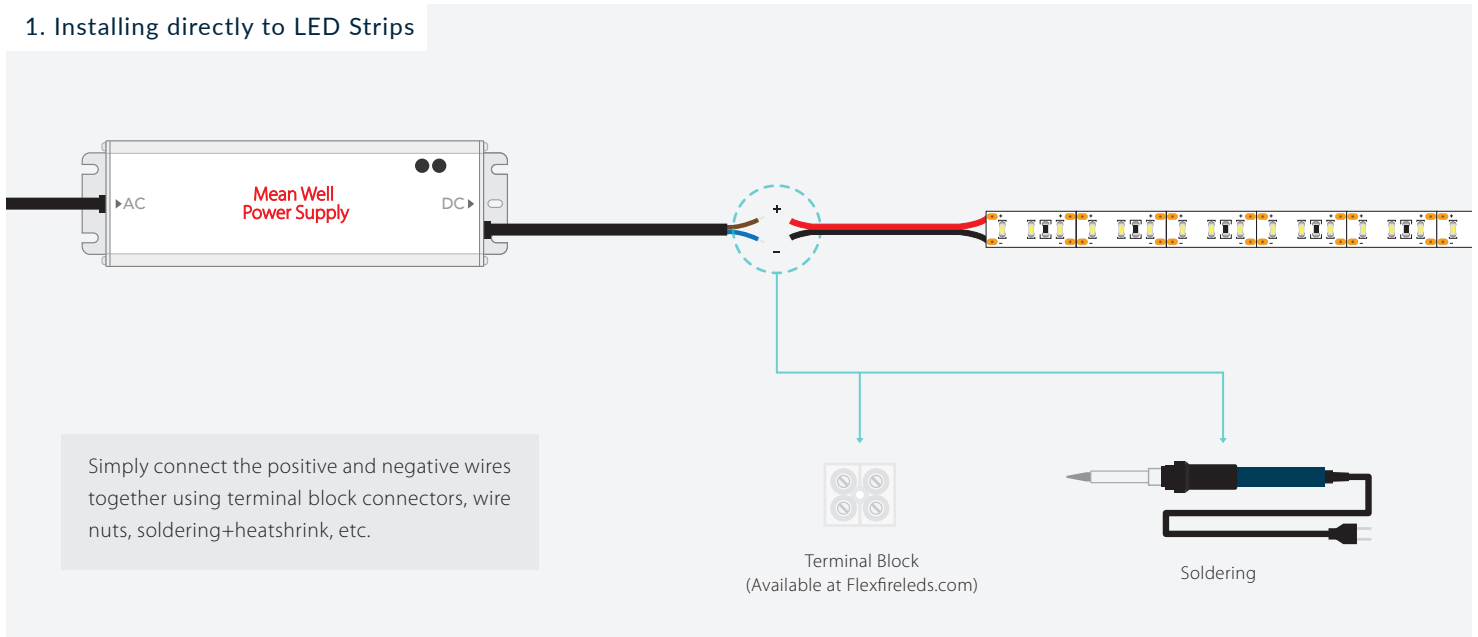


#### 2. Add an AC Plug (Sold at any home improvement or hardware store)

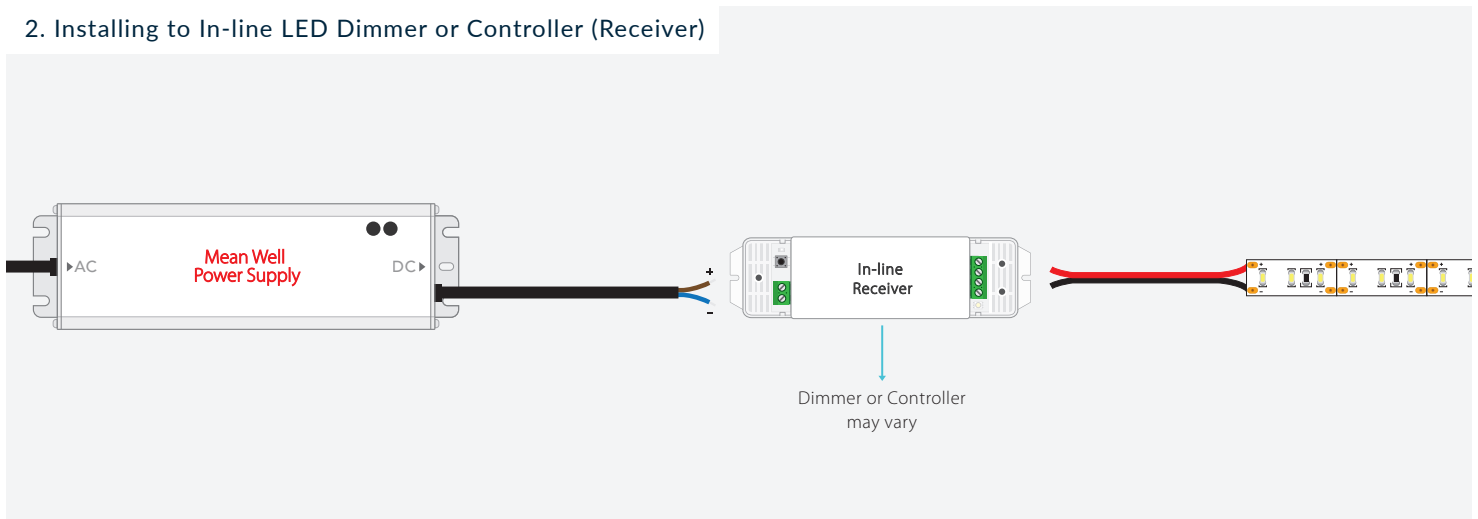


## DC INSTALLATION OPTIONS

### 1. Installing directly to LED Strips



### 2. Installing to In-line LED Dimmer or Controller (Receiver)



## INFORMATION

If you do not have a licensed electrician to perform the installation and you do not feel confident following these instructions, don't hesitate to contact our tech support department at 925 • 273 • 9080 and choose the after sales support option.