



# Leona<sup>®</sup> Pro Smart Home Remote

Product Data Sheet





# Leona® Pro Smart Home Remote

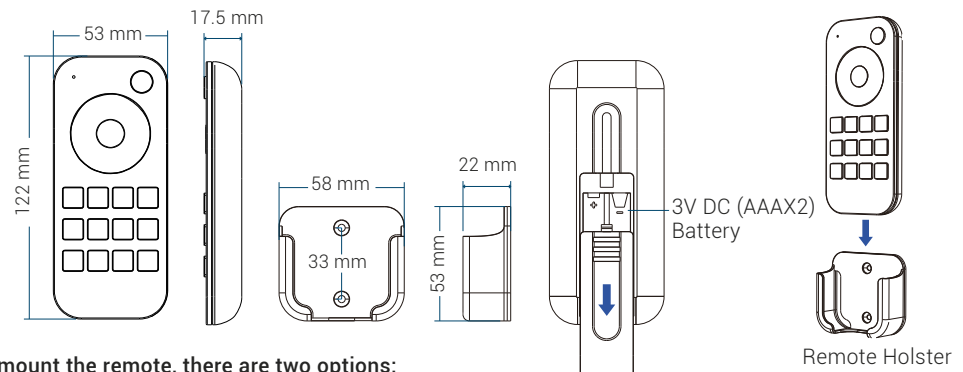
## Product Data Sheet



## Features

- Leona® Pro Smart Home Remotes are available in a variety of multi-zone selections to control White/Single Color, Tunable White, RGB, RGBW, and RGB+Tunable White LED fixtures via the Leona® Pro Smart Home Color Controller.
- Ultra sensitive color/dimming wheels.
- Powered by 2 x AAA batteries.
- One controller can be controlled by up to ten remotes and one remote can control an unlimited amount of controllers.
- Wall holster that can be used with mounting screws or 3M adhesive pad.
- Indicator lights which reflect the color of light being controlled.

## Mechanical Drawing



To mount the remote, there are two options:

Option 1: Holster to the wall with screws.

Option 2: Adhere the remote, holster to the wall with the 3M adhesive pad.

## Operation Safety

- Read all instructions before beginning operation.
- When you turn on the remote, the indicator light will turn blue. When you turn it off it will turn red.
- When you touch the color wheel of the remote, the indicator light will display the same color.
- If an invalid selection is made, the indicator light will turn red.
- To extend battery life, after a few minutes of inactivity the color wheel will enter a sleep mode. Press any key to reactivate it.
- Ensure that your remote is within 30 meters of the controller for optimal results.
- When installing the battery, pay close attention to positive and negative polarity. If you are not going to be operating the remote for an extended period of time, please remove batteries. If there is no response from the controller, please re-match the remote.
- Handle carefully and avoid dropping on hard surfaces.
- Indoor and dry location use only.

## Specifications

Output Signal	Working Voltage	Working Current	Standby Current	Battery Standby Time	Control Distance	Operating Temperature	IP Rating	Warranty	Zones Available
2.4 GHz RF	3V DC (2x AAA batteries)	<5mA	<10uA	1 Year	98' (30M) without obstacles	-22°F to 131°F (-30°C to 55°C)	IP20	5 Years	4 Zones

## Remote Key Functions

### White / Single Color



- Press to turn on/off all zones of light.
- Slide over to change brightness of current zone.
- Short press to select a zone or to turn a zone off. Long press for 2 seconds to turn off a zone. Short pressing multiple zone keys one after another along with any function key will sync multiple zones.
- 25%, 50%, 75%, 100% brightness for current selected zone.
- Short press to recall a scene. Long press for 2 seconds to save your current control status as a scene. The LED indicator on the remote will turn green when a scene has been saved.

### Tunable White



- Press to turn on/off all zones of light.
- Slide over to change CCT of current zone.
- Short press to select a zone or to turn a zone off. Long press for 2 seconds to turn off a zone. Short pressing multiple zone keys one after another along with any function key will sync multiple zones.
- Adjust brightness for the current selected zone. Up to 10 levels of dimming available.
- Press these keys to get to either Warm White or Cool White for the current zone.
- Short press to recall a scene. Long press for 2 seconds to save your current control status as a scene. The LED indicator on the remote will turn green when a scene has been saved.

### RGB / RGBW



- Press to turn on/off all zones of light.
- Slide over to change color of current zone.
- Short press to select a zone or to turn a zone off. Long press for 2 seconds to turn off a zone. Short pressing multiple zone keys one after another along with any function key will sync multiple zones.
- Adjusts the brightness of static colors for 10 steps up/down. Adjusts the speed of dynamic modes for 10 steps up/down.
- Short press R/G/B buttons to get Red, Green or Blue. Long press these buttons to adjust the R/G/B channels manually.
- When using as an RGB remote, short press the W button to create a white mix of RGB channels, or long press it to adjust saturation. When using as an RGBW remote, short press the W button to turn the White channel on/off, or long press it to adjust the brightness of the W channel.
- Cycles through dynamic color changing modes for the selected zone.
- Short press to recall a scene. Long press for 2 seconds to save your current control status as a scene. The LED indicator on the remote will turn green when a scene has been saved.

### RGB + Tunable White



- Press to turn on/off all zones of light.
- Slide over to change color or CCT of current zone. Press the RGB or CCT keys to switch between the RGB and CCT color wheels.
- Short press to select a zone or to turn a zone off. Long press for 2 seconds to turn off a zone. Short pressing multiple zone keys one after another along with any function key will sync multiple zones.
- Adjusts the brightness of static colors for 10 steps up/down. Adjusts the speed of dynamic modes for 10 steps up/down.
- Short press this button to cycle through 24 different static colors.
- Adjust the Warm White and Cool White for 10 steps up/down.
- Cycles through dynamic color-changing modes for the selected zone.
- Short press during RGB dynamic modes to adjust the speed up/down 10 steps. Short press during RGB static colors to adjust color saturation up/down 10 steps.
- Short press to recall a scene. Long press for 2 seconds to save your current control status as a scene. The LED indicator on the remote will turn green when a scene has been saved.

## Connect to a Leona® Pro Controller (sold separately)

---

1. Follow the instructions in the Leona® Pro Controller User Guide to set up the controller with the specific type of strip light that you will be using with your remote.
2. Short press the "MATCH/SET" button on the controller and then immediately press the desired zone key (Keys 1 through 4 on the Leona® Pro Remote) to link the controller to that specific zone on the remote. The LED "RUN" indicator flashing rapidly for a few seconds means that the match was successful.
3. Alternatively, you can use the power restart function built into the controller to pair remotes. Simply switch the power to the controller on and off three times in a row and then immediately press the desired zone key on the remote three times in a row. The LED "RUN" indicator flashing rapidly for a few seconds means that the match was successful.
4. To delete matched remotes from the controller, press and hold the "MATCH/SET" button on the controller for 20 seconds and the remotes previously paired to that controller will no longer be paired.

## Warranty Information

---

This product has a 5-year limited warranty from the date of shipment. This warranty only includes the main product outlined in this specification sheet and does not include the additional accessories that are used as a reference. Complete warranty details for fixtures and additional accessories are available at: <https://www.flexfireleds.com/warranties/> within the Policies section. For warranty-related questions please contact the product support team at [support@flexfireleds.com](mailto:support@flexfireleds.com)

### Consumer's Acknowledgement

Flexfire LEDs, Inc. stands behind its products when they are used properly and according to our specifications. When you purchase our products, you are agreeing to the terms and conditions outlined in our warranty section. We try our best to make recommendations, but the burden of proper installation, design, and maintenance relies on the purchaser. This limited warranty does not include product failures that are the result of: Not using a voltage-regulated power supply to connect the LED product or controls; Connecting LED products to the wrong output voltage; Improper connection of power supplies, LED products, or controls; Connecting LED products or controls directly to any AC power source if they are stated for DC only input; Connecting power supplies backwards to an AC power source; Products used in an inappropriate location or in environmental conditions (temperature, humidity, moisture, etc.) outside the normal specified range; Water damage to products not specifically sold as waterproof products; Electrical power surges and spikes; Damage from hail, flooding, tornado, fire, wind, earthquake, lightning, electrical storm, or any other natural disasters or "force majeure" incidences; Damage caused by a vehicle or other accident; Damage caused when transporting the item; Damage to any products that were modified by the user, used for purposes other than as intended or directed, or connected to LED systems or components not purchased from Flexfire LEDs; Products that have been subjected to misuse, mishandling, misapplication or accident. Products used in connection with any components, devices or systems other than those explicitly approved as compatible with Company's products and listed on Company's website. Excessive wear and tear and/or physical or accidental abuse, loss, or theft. Improper repairs or warranty services performed by someone other than Flexfire LEDs will void this warranty.

