



Leona[®] Pro Smart Home Control Panels

Product Data Sheet





Leona® Pro Smart Home Control Panels



Product Data Sheet

White / Single Color



SKU:
LEO-PRO-SC-WALL

Tunable White



SKU:
LEO-PRO-DYN-WALL

RGB / RGBW



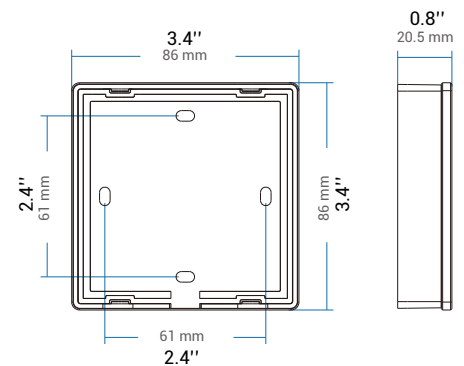
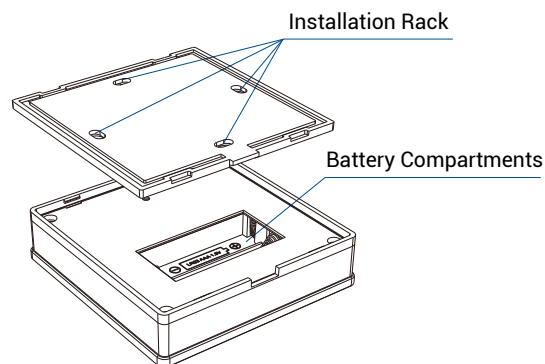
SKU:
LEO-PRO-RGBW-WALL

RGB + Tunable White



SKU:
LEO-PRO-RGBDYN-WALL

Mechanical Drawing



Features

- Leona® Pro Smart Home Control Panels are available in a variety of multi-zone selections to control White/Single Color, Tunable White, RGB, RGBW, and RGB+Tunable White LED fixtures via the Leona® Pro Smart Home Color Controller.
- Ultra sensitive color/dimming sliders.
- Each control panel can match multiple receivers.
- Powered by 2 x AAA batteries.
- Wall plate with mounting screws (included).
- Glass touch panel.

Specifications

Output Signal	Working Voltage	Working Current	Standby Current	Battery Standby Time
2.4 GHz RF	3V DC (2x AAA Batteries)	<5mA	<20uA	1 Year

Control Distance	Operating Temperature	IP Rating	Warranty	Zones Available
98' (30M) without obstacles	-22°F to 131°F (-30 °C to 55°C)	IP20	5 Years	4 Zones

Safety

- Read all instructions before beginning operation.
- When you turn on the control panel, the indicator light will turn blue. When you turn it off it will turn red. Ensure that your control panel is within 30 meters of the controller for optimal results.
- When installing the battery, pay close attention to positive and negative polarity. If you are not going to be operating the control panel for an extended period of time, please remove batteries. If there is no response from the controller, please rematch the panel.
- Handle carefully and avoid dropping on hard surfaces.
- Indoor and dry location use only.

Installation

Uninstall **Touch Panel** **Base Plate** **Gang Box**

To mount the control panel, there are two options:

Option 1: Affix the baseplate to the wall or to a square gang box with screws.

Option 2: Adhere the baseplate to the wall with a 3M adhesive pad (not included).

Connect to a Leona® Pro Smart Home Controller (sold separately)

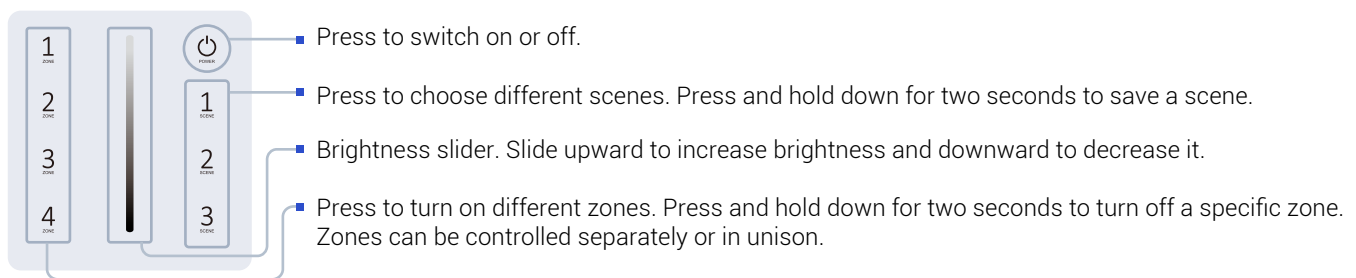
- 01** Follow the instructions in the Leona® Pro Smart Home Controller User Guide to set up the controller with the specific type of strip light that you will be using with your control panel.
- 02** Short press the "MATCH/SET" button on the controller and then immediately press the desired zone key (Keys 1 through 4 on the Leona® Pro Control Panel) to link the controller to that specific zone on the remote. The LED "RUN" indicator flashing rapidly for a few seconds means that the match was successful.
- 03** Alternatively, you can use the power restart function built into the controller to pair panels. Simply switch the power to the controller on and off three times in a row and then immediately press the desired zone key on the panel three times in a row. The LED "RUN" indicator flashing rapidly for a few seconds means that the match was successful.
- 04** To delete matched control panels from the controller, press and hold the "MATCH/SET" button on the controller for 20 seconds and the control panel previously paired to that controller will no longer be paired.

Note:

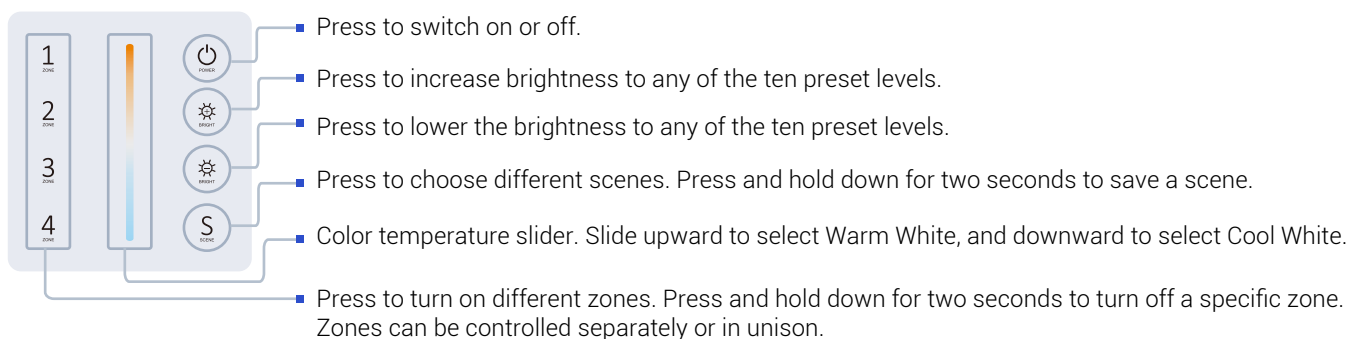
To turn on/off the button tone sounds, hold the power key down for 5 seconds. For the Single Color/White version, hold the power key down for 10 seconds.

Remote Key Functions

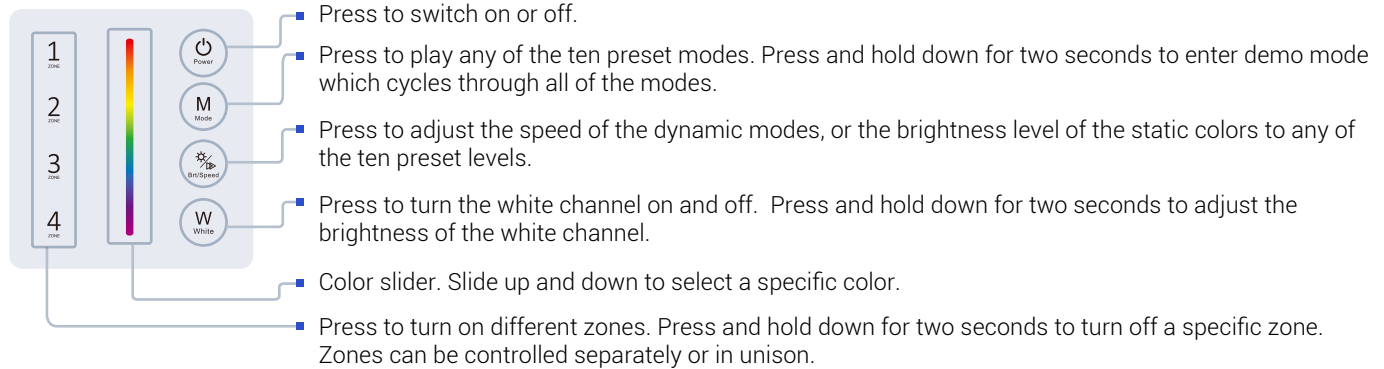
4-Zone Single Color/White Control Panel



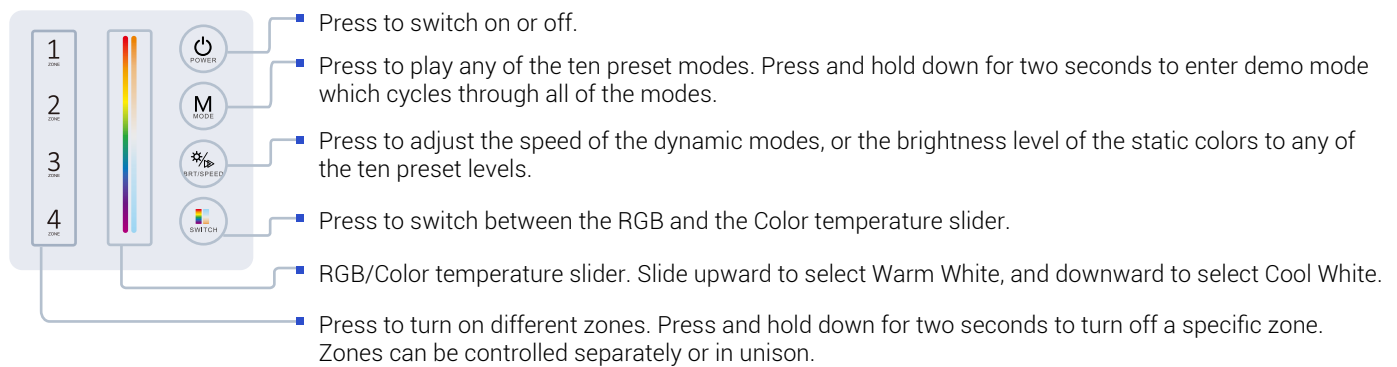
4-Zone Tunable White Control Panel



4-Zone RGB/RGBW Remote



4-Zone RGB+Tunable White Remote



Warranty Information

Warranty Information

This product has a 5-year limited warranty from the date of shipment. This warranty only includes the main product outlined in this specification sheet and does not include the additional accessories that are used as a reference. Complete warranty details for fixtures and additional accessories are available at: <https://www.flexfireleds.com/warranties/> within the Policies section. For warranty-related questions please contact the product support team at support@flexfireleds.com

Consumer's Acknowledgement

Flexfire LEDs, Inc. stands behind its products when they are used properly and according to our specifications. When you purchase our products, you are agreeing to the terms and conditions outlined in our warranty section. We try our best to make recommendations, but the burden of proper installation, design, and maintenance relies on the purchaser. This limited warranty does not include product failures that are the result of: Not using a voltage-regulated power supply to connect the LED product or controls; Connecting LED products to the wrong output voltage; Improper connection of power supplies, LED products, or controls; Connecting LED products or controls directly to any AC power source if they are stated for DC only input; Connecting power supplies backwards to an AC power source; Products used in an inappropriate location or in environmental conditions (temperature, humidity, moisture, etc.) outside the normal specified range; Water damage to products not specifically sold as waterproof products; Electrical power surges and spikes; Damage from hail, flooding, tornado, fire, wind, earthquake, lightning, electrical storm, or any other natural disasters or "force majeure" incidences; Damage caused by a vehicle or other accident; Damage caused when transporting the item; Damage to any products that were modified by the user, used for purposes other than as intended or directed, or connected to LED systems or components not purchased from Flexfire LEDs; Products that have been subjected to misuse, mishandling, misapplication or accident. Products used in connection with any components, devices or systems other than those explicitly approved as compatible with Company's products and listed on Company's website. Excessive wear and tear and/or physical or accidental abuse, loss, or theft. Improper repairs or warranty services performed by someone other than Flexfire LEDs will void this warranty.