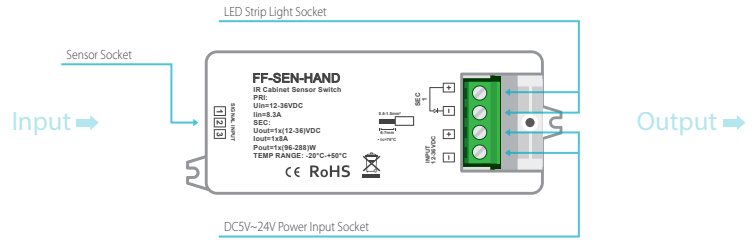
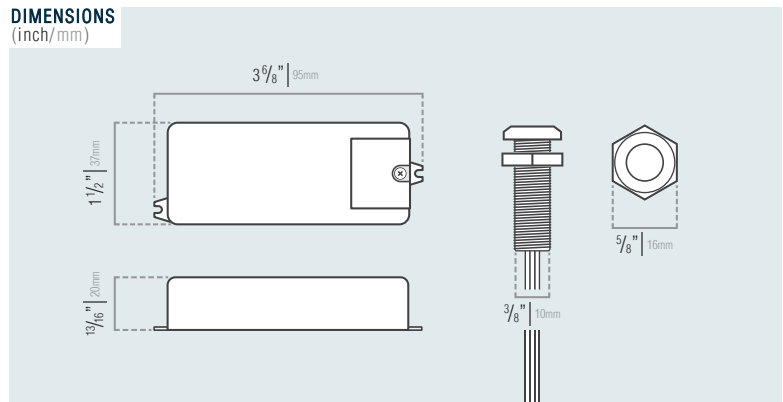




Receiver



DIMENSIONS (inch/mm)



DETAILS

PRODUCT NAME	IR Hand Sensor Switch
SKU	FF - SEN - HAND
DESCRIPTION	The hand sensor allows you to quickly turn your lights on and off by simply waving your hand in front of the sensor.
DETECTION RANGE	0.4 - 2,3 in (1 - 6 cm)
OUTPUT CURRENT	1x8A
INPUT VOLTAGE	5-36V DC
MAXIMUM LOAD	12V DC: 96w 24V DC: 192w

HOW IT WORKS

The hand sensor can be thought of as a light switch that only requires the wave of your hand to operate your lights. Once installed, a simple wave of your hand within 6 cm (2 3/8") of the sensor head will tell the sensor to open or close the power circuit turning your lights on or off. If you wave your hand in front of the sensor while the lights are off, it will toggle them on and will keep them on until you wave your hand in front of the sensor again to toggle them off.

COMPATIBLE WITH:

- All DC LED Strips