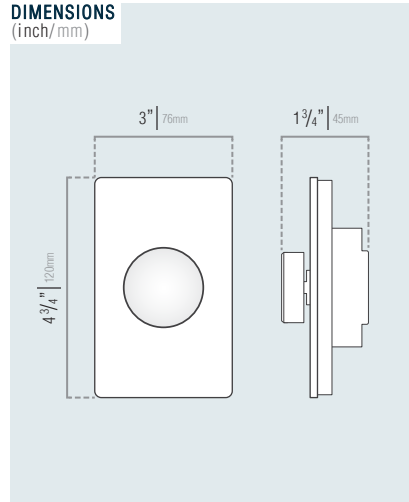
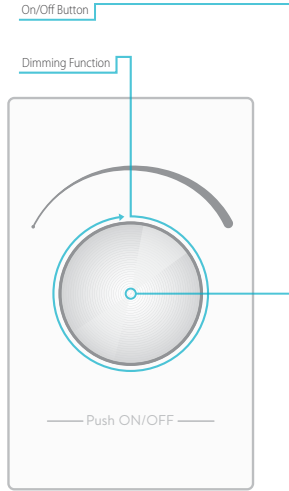
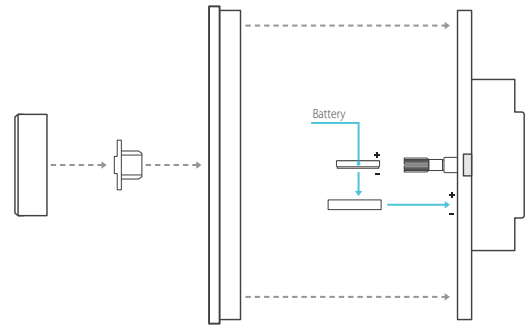


Control



DISASSEMBLY



IMPORTANT

Before you get started, you must remove the plastic battery insulation tab. You can do this by removing the knob along with the plastic washer behind it, then use a small tool such as a flat head screwdriver to pry open the dimmer from the bottom. Now that you have access to the battery, you can pull out the plastic battery insulation tab.

DETAILS

PRODUCT NAME	Wireless Wall Dimmer for Single Color Series
SKU	<ul style="list-style-type: none"> • Color White: FF-SC-WALL-W • Color Black: FF-SC-WALL-B
DESCRIPTION	<p>The Flexfire LEDs Wireless Desktop Dimming System is as easy to use as it is beautiful. The shiny black finish and minimalistic design makes the remote perfect in any design situation. With a dimming range of 0.1% - 100% you can control the brightness of your LED strip lights to create a perfect flicker-free setting. The wireless desktop dimmer works with radio frequency (RF) and can dim the LEDs within 100ft of the receiver.</p> <p>Each wireless desktop or wall dimmer can control an infinite amount of wireless receivers. However only 8 desktop or wall dimmers can be synchronized to a single receiver. This allows for a lot of flexibility when it comes to installation and wireless control.</p>
BATTERY	CR2032 Battery (3V DC)
WIRELESS RANGE	98 ft (30 m)

SYNC INSTRUCTIONS

1. Remove the cover on the right side of the receiver.
2. Insert positive and negative wires from the power source (5-24V DC) into the input of the receiver.
3. Tap the learning key button one time.
4. Tap the rotary knob on the wall or desktop wireless dimmer one time.

FUNCTIONS

- Turn the rotary knob to the right to increase brightness
- Turn the rotary knob to the left to decrease brightness
- Quickly press and release the knob to turn your lights on/off
- Press and hold down the knob button for the 100% brightness setting