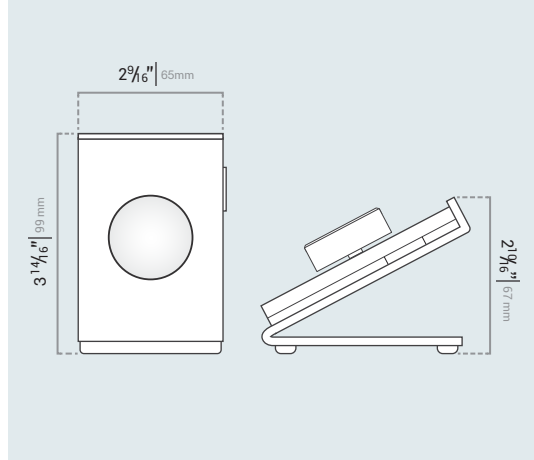


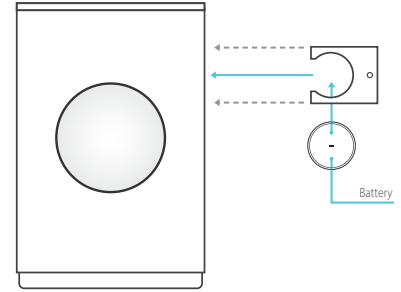
Control



DIMENSIONS
(inch/mm)



DISASSEMBLY



IMPORTANT

Make sure you use one of the small screws that are included to secure the battery tray before use. The negative side of the battery should be facing the front of the dimmer as shown on the diagram above.

DETAILS

| | |
|-----------------------|---|
| PRODUCT NAME | Wireless Desktop Dimmer for Single Color Series |
| SKU | FF-SC-DSK-B |
| DESCRIPTION | The Flexfire LEDs Wireless Desktop Dimming System is as easy to use as it is beautiful. The shiny black finish and minimalistic design makes the remote perfect in any design situation. With a dimming range of 0.1% - 100% you can control the brightness of your LED strip lights to create a perfect flicker-free setting. The wireless desktop dimmer works with radio frequency (RF) and can dim the LEDs within 100ft of the receiver. Each wireless desktop or wall dimmer can control an infinite amount of wireless receivers. However only 8 desktop or wall dimmers can be synchronized to a single receiver. This allows for a lot of flexibility when it comes to installation and wireless control. |
| BATTERY | CR2025 Battery |
| WIRELESS RANGE | 98 ft (30 m) |

SYNC INSTRUCTIONS

1. Remove the cover on the right side of the receiver.
2. Insert positive and negative wires from the power source (5-24V DC) into the input of the receiver.
3. Tap the learning key button once.
4. Tap the rotary knob on the wall or desktop wireless dimmer once.

FUNCTIONS

- Turn the rotary knob to the right to increase brightness
- Turn the rotary knob to the left to decrease brightness
- Quickly press and release the knob to turn your lights on/off
- Press and hold down the knob button for the 100% brightness setting