

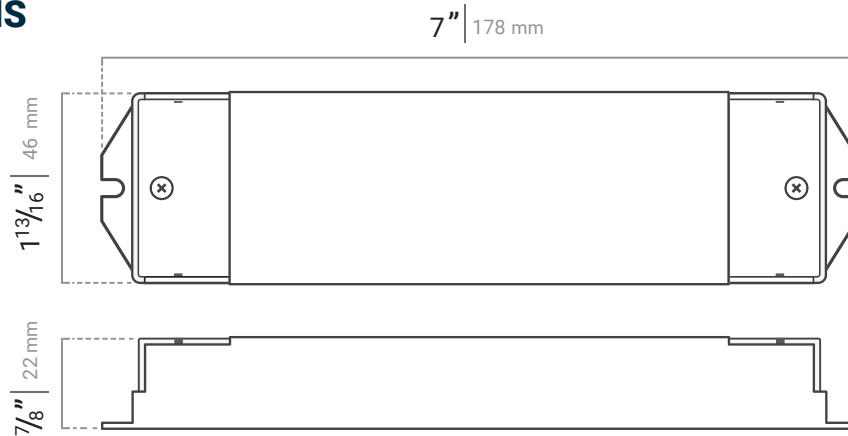
# In-Line Receiver for Hybrid Series 12V / 24V

## Specification Sheet

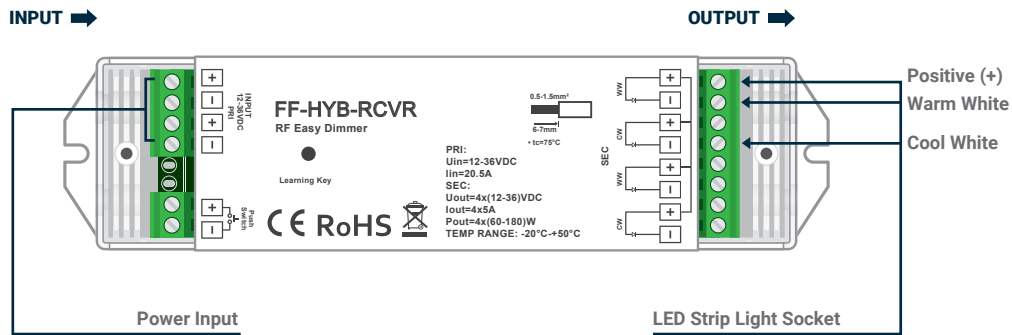


### DIMENSIONS

(inch/mm)



### CONTROL



### DETAILS

PRODUCT NAME	In-Line Receiver for Hybrid Series
SKU	FF-HYB-RCVR
DESCRIPTION	<p>The Flexfire LEDs wireless receivers allow you to control different lighting areas with a push of a button.</p> <p>Simply pair a desktop or wireless wall dimmer to this receiver and enjoy flawless on/off control and dimming.</p> <p>You can pair up to 8 desktop or wireless wall dimmers to each receiver, but an infinite amount of receivers to a single desktop or wireless wall dimmer.</p>
WIRELESS RANGE	98 ft (30 m)
OUTPUT CURRENT	4x5A
INPUT VOLTAGE	5-24V DC
MAXIMUM LOAD	12V DC: 240w 24V DC: 480w

### SYNC INSTRUCTIONS

1. Remove the cover on the right side of the receiver.
2. Insert positive and negative wires from the power source (5-24V DC) into the input of the receiver.
3. Tap the learning key button one time.
4. Tap the rotary knob on the wall or desktop wireless dimmer one time.

### COMPATIBLE WITH:

- FF-HYB-WALL-W(B)
- FF-HYB-DSK-B

V.2022.03.01



**Toll Free Number:**  
1-844-353-9347



**Local Number:**  
(925) 273-9080



support@FlexfireLEDs.com