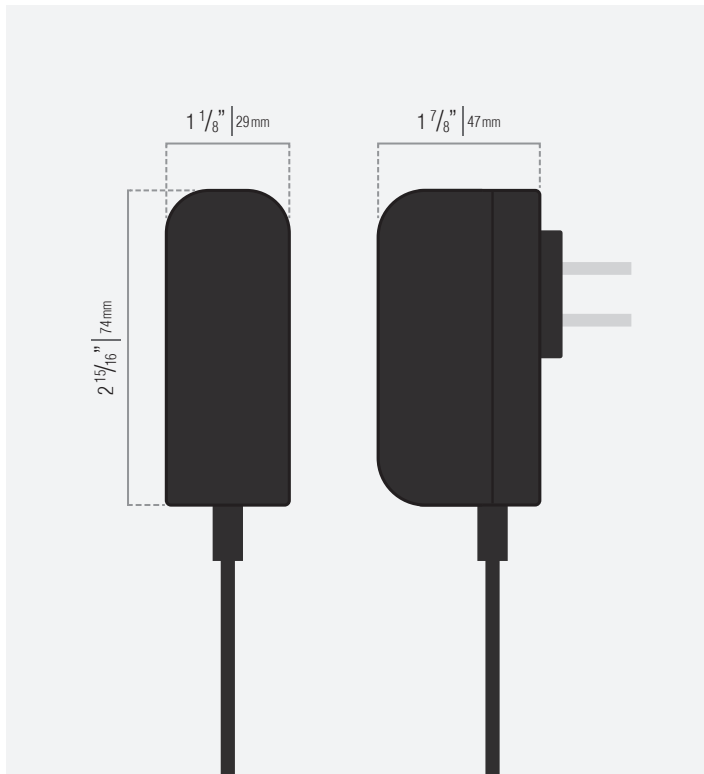


DESKTOP POWER SUPPLY

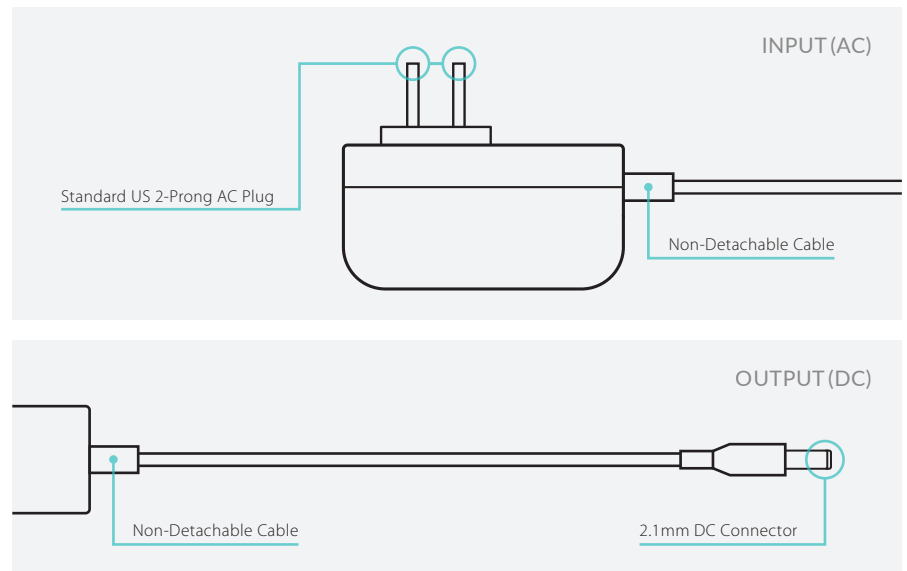
NOTES & WARNINGS

- Compatible with all Flexfire LED Strip Lights
- Power supply has been designed for indoor use
- To use outdoors, it is required to be installed in a NEMA 3R Enclosure
- Recommended to be installed in a well ventilated area
- Do not puncture or open power supply for any reason
- Not compatible with AC in AC out dimmers such as Lutron, Legrand, Leviton dimmers
- Do not modify (cut, rewire, open) this power supply in any way
- Startup time can take from 1-3 seconds in order to stabilize voltage and extend the life of the power supply



ELECTRICAL PARAMETERS

TECHNOLOGY	Electronic
INPUT VOLTAGE	100-240V AC 50/60Hz
OUTPUT VOLTAGE	12V DC
WATTAGE	12 Watts
MAX AMPERAGE	1 Amps
PRIMARY BREAKER (AC)	None
SECONDARY BREAKER (DC)	None
RESET	Automatic
LOAD CAPACITY	Up to 80% load
KNOCK-OUT HOLES	None
EFFICIENCY	72.40%



TRANSFORMER

- Power supply is converting AC power to DC power
- Operational Temperature Range: 0°C - 40°C
- DC Cable Length: 6ft - AC Cable Length: N/A
- Installation Options: Horizontal, Vertical

HOUSING

- Actual transformer is enclosed inside the black plastic casing
- Power supply is made of Black Plastic, Rubber Cords, Silver Plated Connections
- Housing is not to be altered or modified in any way