

Before you begin, read all warnings and installation instructions thoroughly.

SAFETY & WARNINGS

- Install in accordance with the National Electric Code, and local regulations.
- This product should be installed and serviced by a qualified electrician.
- Do not connect directly to high voltage 120V AC power.
- This product is rated for indoor installation and is not protected against moisture.
- Proper heat dissipation will prolong the working lifespan of this product. Install in a well-ventilated area.
- Only install compatible LED drivers and fixtures. Contact technical support or visit the product page for compatible products.
- Ensure applicable wire is installed between driver, fixture, and any controls in between. When choosing wire, factor in voltage drop, amperage rating, and type (in-wall rated, wet location rated, etc.). Inadequate wire installation could overheat wires, and cause fire.
- Utilize the wiring diagrams in this installation guide for basic installations.

Remote



Input Voltage	DC5V (Built-in Lithium battery)
Working Current	≤30mA
Working Frequency	2.4GHZ
Transmitting Distance	100 ft / 30m
Remote Option	Sync or zone control (8 zones)
Battery Capacity	1000mAh
Standby Time	≤6 months
Normal Usage Time	30 days
Dimension	5.7 × 2.2 × 0.8 in. (L x W x H)
Weight (G.W)	7 oz

Receiver



Input Voltage	12-24V DC
Max Current Load	5A×3CH Max 15A
Max Output Power	180W/360W(12V/24V)
Change Mode	18 modes
Control Button	8 touch buttons
Operating Temperature	-22° - 131°F
Ambient Temperature	-4° - 104°F
Dimension	8.3 × 1.5 × 1.2 in. (L x W x H)
Weight (G.W)	6.4 oz

INSTALLATION

Always pre-test your LED light assembly prior to permanent installation. This will ensure all components are being joined properly and work correctly. Be sure to check the amperage rating of RGB LED fixture you choose to install so the RGB Zone Receiver is not overloaded (Max 5A*3, 5A per channel). See installation diagrams on the back of this page for sample installations.

1. Turn off 120V AC power at the main breaker prior to installation.
2. Connect your compatible driver to the Zone Receiver by attaching the negative output lead of your driver to the negative (DC-) input terminal of the receiver, and positive output lead of your driver to the positive (DC+) input terminal of the receiver. If powering with a plug-in adapter, use a DC Splice Cable to hard-wire the adapter to the receiver.
3. To install an RGB LED fixture, connect the red lead to the negative (R) terminal; the green lead to the negative (G) terminal; & the blue lead to the negative (B) terminal of the Zone Receiver. Connect the remaining positive lead to the positive (+) terminal of the receiver.
4. Install additional components/accessories. Once complete, turn on 120V AC power.

Charging the Zone Remote

- A flashing red indicator light on the Zone Remote implies a low battery.
- To charge the Zone Remote, connect the included USB 2.0A/Mini-B cable to the remote and to any USB compatible computer or mobile charger with a USB port (not included).
- Press the power button on the Zone Remote and a blue indicator light will flash continuously to indicate charging. Once the indicator light turns green, charging is complete.

Pairing the Zone Remote with a Zone Receiver

The Zone Remote can control up to 8 different Zone Receivers. Only one remote can be paired to each receiver. To pair the Zone Remote with a Zone Receiver:

1. Turn on the Remote and Receiver by pressing the power button on each device.
2. Next, press and hold the power button on the Receiver for 3 seconds until you hear a short beep, and continue to hold. Once the Receiver short beeps immediately hold down a zone number of your choice (1-8) on the Remote. Ensure to continue holding the power button on the Receiver after it beeps, and then simultaneously choose a zone on the Remote.
3. To indicate pairing, the Receiver will long beep and a green indicator light will flash 3 times on the Remote.

OPERATION

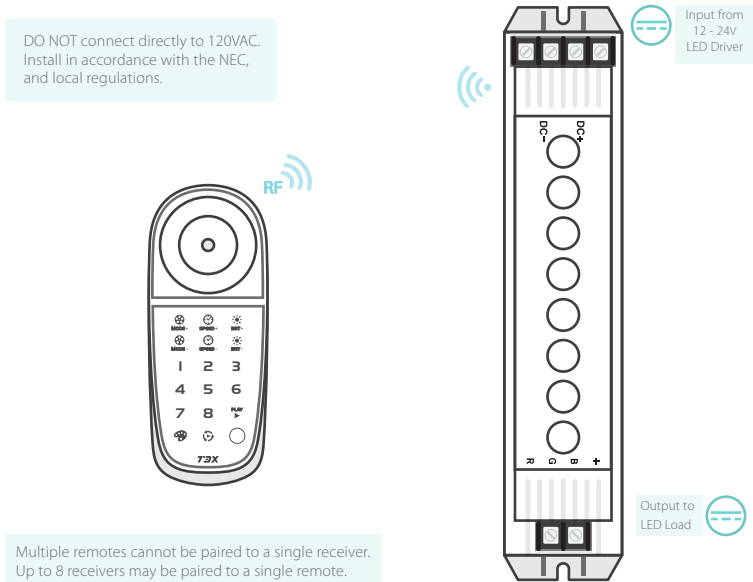
- **POWER:** Turns the Zone Receiver and Zone Remote ON/OFF.
- **PAUSE:** A quick press of the PAUSE key freezes the current MODE. Holding the PAUSE key on the Zone Remote for 3 seconds will turn the sound on all Zone Receivers ON/OFF.
- **MODE:** Cycles through 18 pre-programmed MODES. Holding MODE+ for 3 seconds until a long beep sounds will cycle the MODE to No. 1 of the Mode Description Chart and adjust the SPEED to 5.
- **SPEED:** Press to cycle through 8 different SPEEDS of any current MODE. Holding SPEED for 3 seconds until a buzzer sounds will adjust the SPEED to 5.
- **BRIGHTNESS:** Press to cycle through 8 BRIGHTNESS levels of any current MODE or single color. A quick double-beep indicates maximum brightness if sound is turned on (see PAUSE key for turning sound ON/OFF).
- **COLOR ADJUSTMENT WHEEL:** Adjusts static colors. The LED indicator in the center of the COLOR ADJUSTMENT WHEEL displays the current static color selected.
- **ZONE CONTROL:** Selects a specific zone to control (1-8). To choose all 10 zones press “* *” twice. To control a selected number of zones in sync press “* + any numeral + *”. For example, if you would like to control zones 1, 5, & 9 together, press “* 159 *”.

MODE DESCRIPTION CHART

No.	MODE	No.	MODE
1	Static red	17	Cyan fade out and fade in
2	Static green	18	White fade out and fade in
3	Static blue	19	RGB fade out and fade in
4	Static yellow	20	Red/Green color smooth
5	Static purple	21	Red/Blue color smooth
6	Static cyan	22	Green/Blue color smooth
7	Static white	23	Red/Yellow color smooth
8	RGB skipping	24	Green/Cyan color smooth
9	7 colors skipping	25	Blue/Purple color smooth
10	White strobe	26	Green/Yellow color smooth
11	7 colors strobe	27	Blue/Cyan color smooth
12	Red fade out and fade in	28	Red/Purple color smooth
13	Green fade out and fade in	29	Blue/White color smooth
14	Blue fade out and fade in	30	Yellow/Purple/Cyan color smooth
15	Yellow fade out and fade in	31	RGB color smooth
16	Purple fade out and fade in	32	Full-color smooth

Description: Speed/Brightness adjustable.

WIRING CONNECTIONS



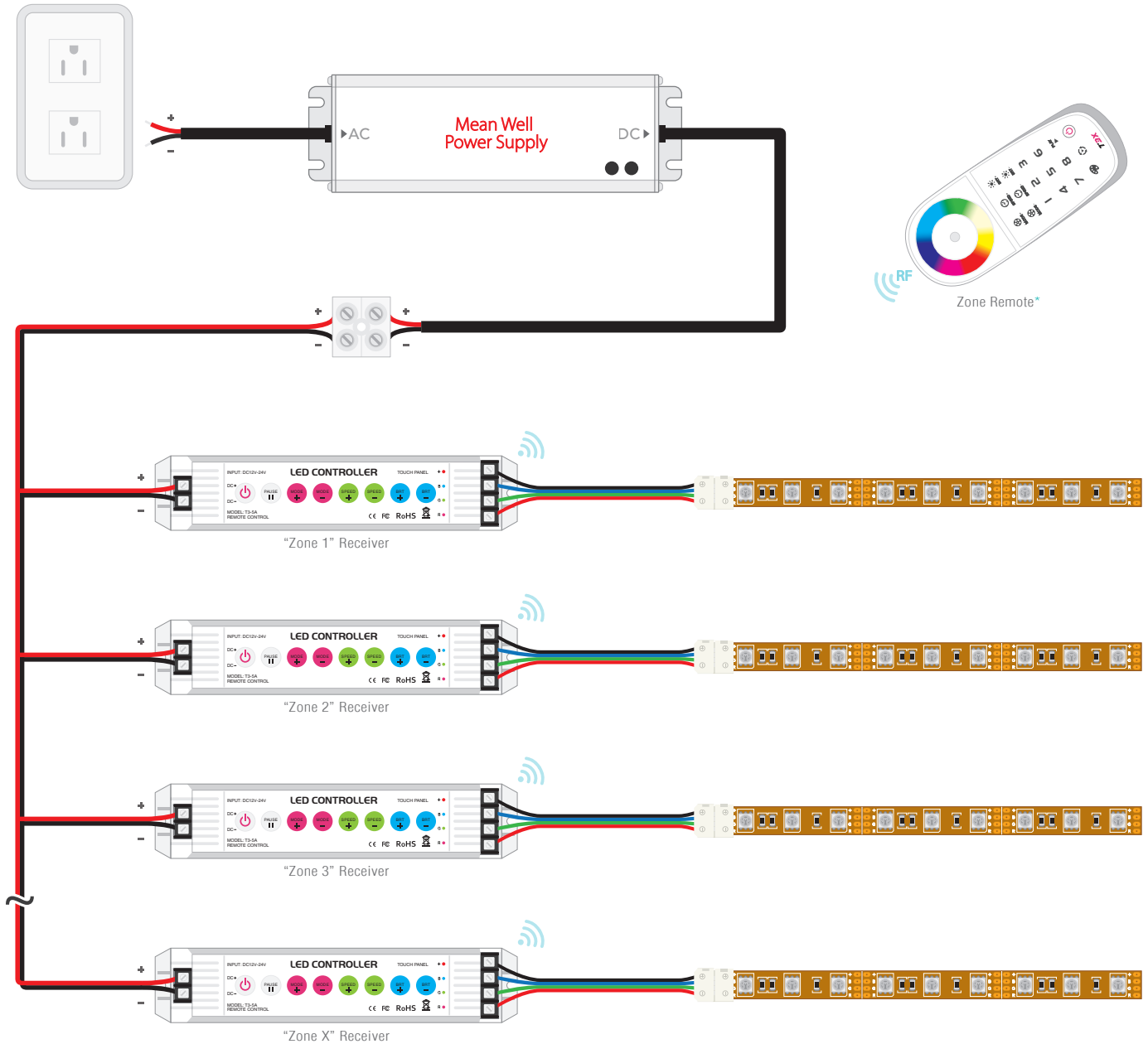
TROUBLESHOOTING

- LED lights do not light up or fixture does not emit correct colors: Make sure all connections are correct and secure (check for backwards polarity) and your compatible drivers connected to 120V AC power. The four (R,G,B,V+) lead wires of the fixture should be stripped properly so the copper wires make direct contact with the Zone Receiver terminal block.
- Lights are flickering: Check that you have a compatible driver rated to power the attached load. Our Magnetic Dimmable Drivers are not compatible with this product. Also, make sure all connections are secure.
- Unable to pair remote with receiver: Please read the directions on the previous page thoroughly. Be sure the Zone Remote is fully charged and the Zone Receiver is paired with a compatible driver.
- This product is rated for indoor installation and is not protected against moisture.
- Proper heat dissipation will prolong the working lifespan of this product. Install in a well-ventilated area.

If all else fails, shut off main power to the Zone Receiver and turn back on. If you have any other questions/concerns please contact technical support. We are more than happy to assist you with any technical difficulties or concerns.

SYSTEM DIAGRAM

The following diagram is provided as an example system design. Class 2 compliance may require a Class 2 Driver per one receiver (eg 60W @ 12V, 96W @ 24V). Install in accordance with the NEC and local regulations.



* Zone remote has 8 total zones and may be paired to an unlimited number of receivers. Multiple remotes cannot be paired to a single receiver (max 1 remote per receiver).